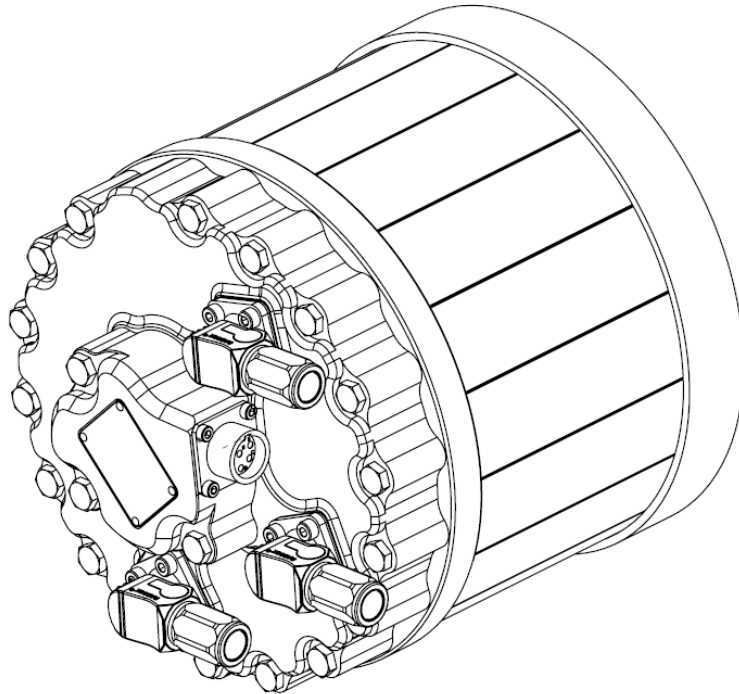


# I&W

## Electric Drive D-190

Datasheet  
v2021.07\_00



## Performance Characteristics

### General Information

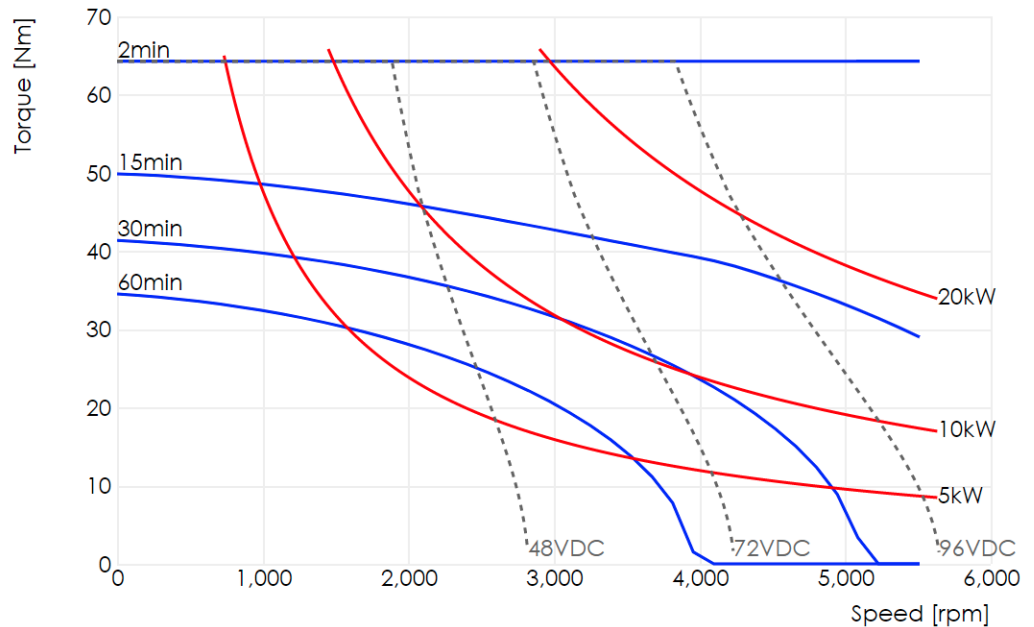
Ambient Temperature	-20°C to 25°C*
Insulation Class EN 60034-1	F(155°C)
Enclosure Type DIN EN 60529	IP67 (Connector Mated) IP69k optional

\*Derating for higher Temperatures

### Drive

Engine Type	Permanentmagnet-Synchronous
Number of Poles	6
Weight	21.5kg
Peak Torque (flange)	67 Nm
Peak Current (rms)	343 Arms
S2 60min. Torque @ 1000 1/min (flange)	32.5 Nm
S2 60min. Current @ 1000 1/min (rms, flange)	177 Arms
Maximum Speed @ 96 VDC	5650 1/min
Torque Constant @ motor shaft	0.193 Nm / Arms
Back EMF Constant (Line to Line, peak, rpm @ motor shaft)	16.5 V / 1000 min <sup>-1</sup>
Electrical Resistance (Rs) @ 25°C	2.5 mΩ
Electrical Inductance @ 1kHz (Lq/Ld)	50 mH/43 mH

### Performance @ 96VDC



## Feedback

### Temperature Sensor

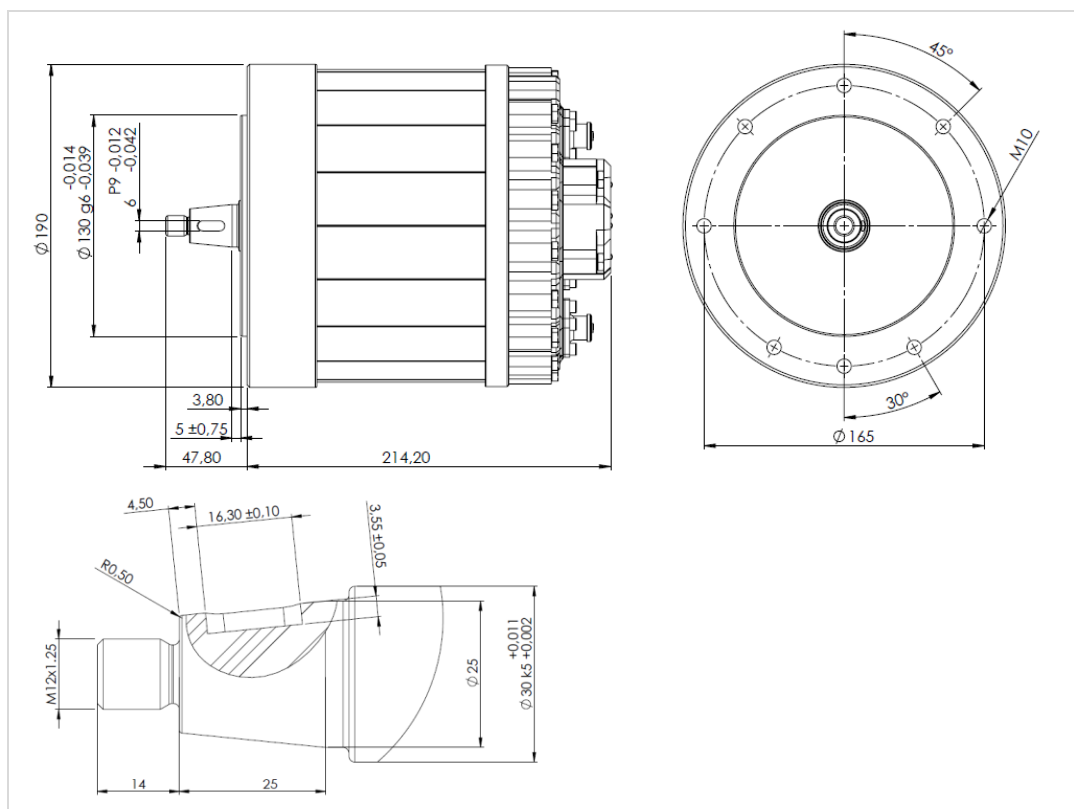
Sensor-Type	PT 1000
-------------	---------

### Angle Sensor -SIN/COS (standard)

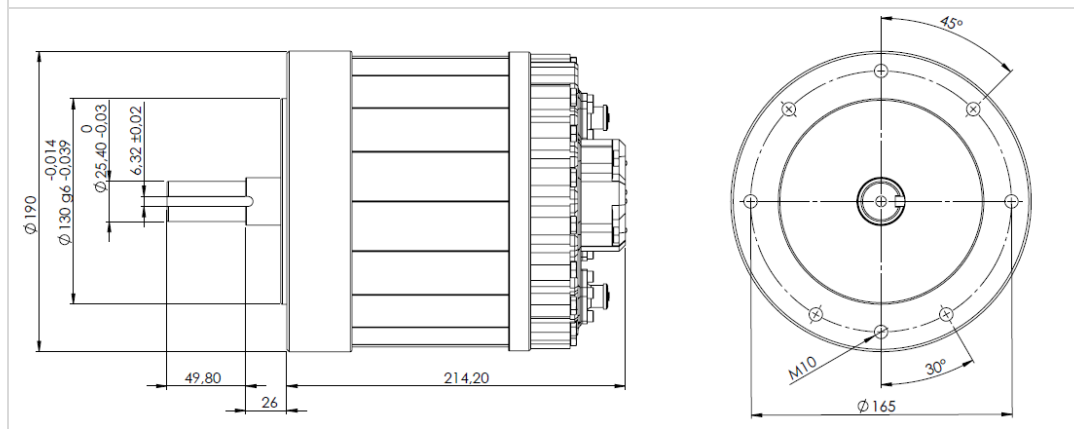
Sensor-Type	SIN/COS-Encoder
Power Supply (V <sub>dd</sub> )	5V +/-5%
Power Consumption	20mA
Output Amplitude	1.1 +/-0.2V <sub>pp</sub>
Output Offset	V <sub>dd</sub> /2 +/- 5mV
Internal serial Impedance	720Ω

## Dimensions

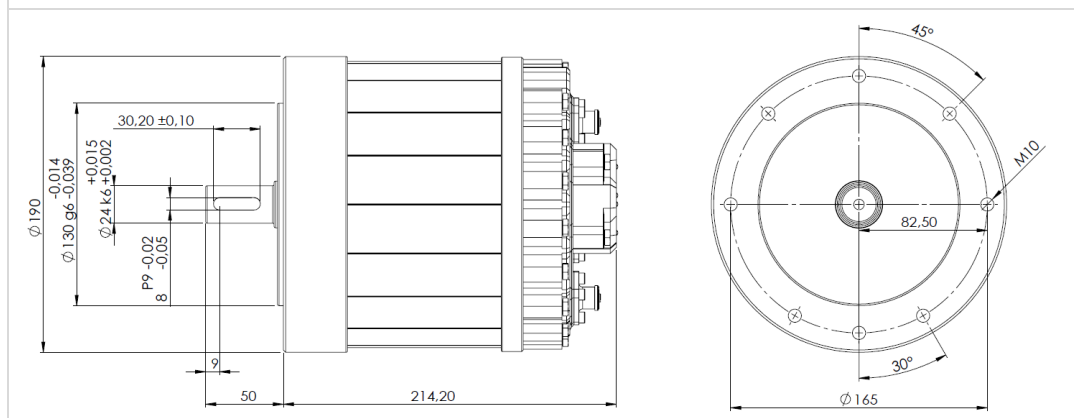
### TYPE A



### TYPE B

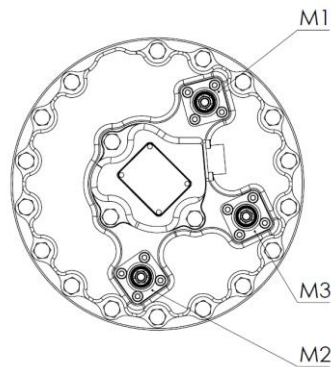


### TYPE C



## Connections

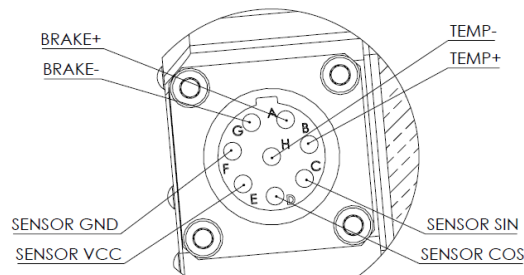
### Power connections



Mating Connector	AMPHENOL SURLOCK PLUS
Part number	SLPPB35BSO
Included	No

Cable-size	35mm <sup>2</sup>
Included	No

### Signal Connections (SIN/COS)



Mating Connector	Amphenol Ecomate RM
Connector	RT06128SNH
Backshell	RT0L-12CG-S1 (6-10.5mm cable)
Socket (8x)	SS20M1F (0.34-0.5 mm <sup>2</sup> )
Included	No