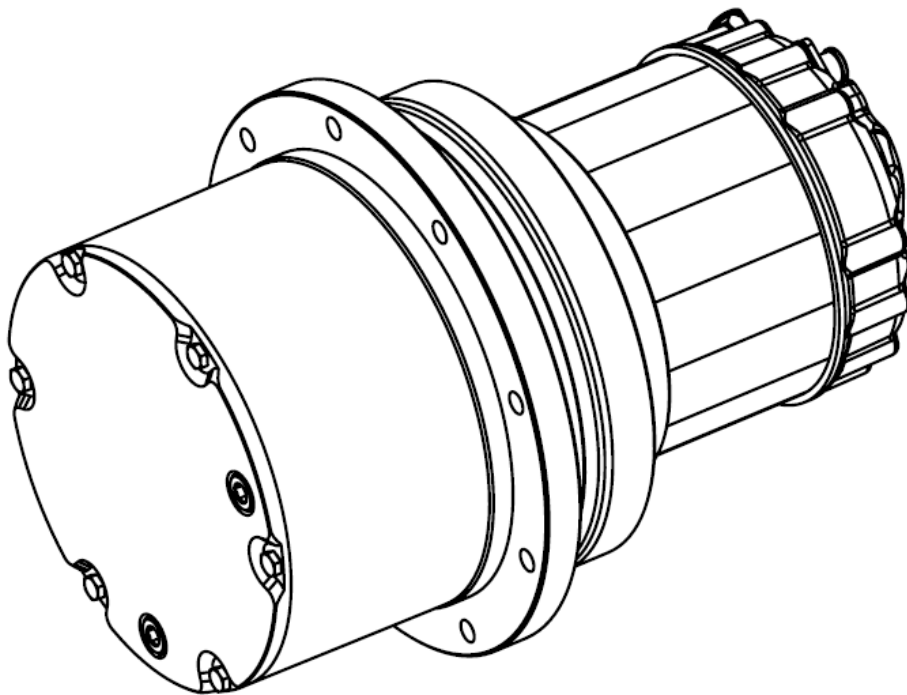


Electric Final Drive M200 (400V)

Typ: M200-102-24s4-i132.2-B24V

Datasheet
v2020.08_00



Performance Characteristics

General Information

Ambient Temperature	-20°C to 25°C*
Insulation Class EN 60034-1	F(155°C)
Enclosure Type DIN EN 60529	IP67 (Connector Mated) IP69k optional

*Derating for higher Temperatures

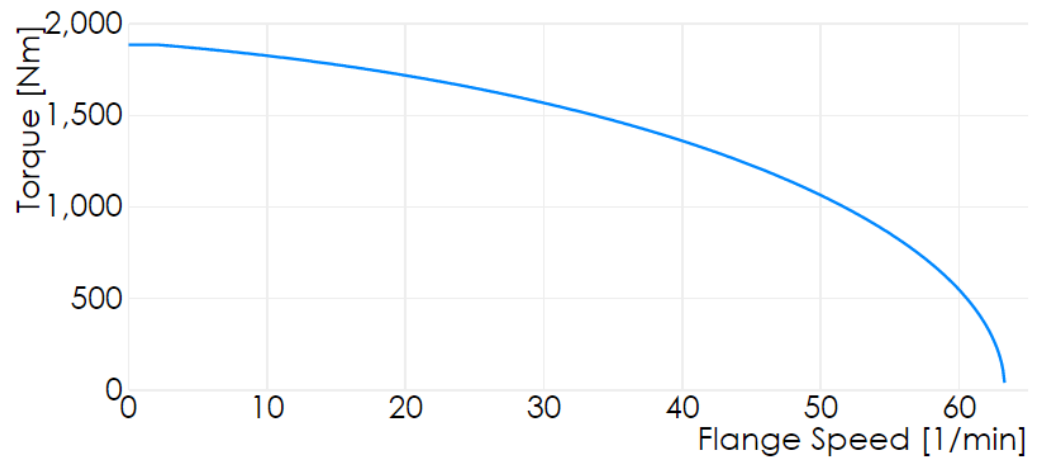
Drive

Engine Type	Permanentmagnet-Synchronous
Number of Poles	8
Reducer Ratio	133.2
Weight	50 kg
Peak Torque(flange)	5000 Nm
Peak Current (rms)	42 Arms
Continuous Torque @ 10 1/min (flange)	1615 Nm
Continuous Current @ 10 1/min (rms, flange)	15.6 Arms
Maximum Speed @ 480 VAC	66 1/min
Torque Constant @ motor shaft	0.82 Nm / Arms
Back EMF Constant (Line to Line, peak, rpm @ motor shaft)	70.7 V / 1000 min ⁻¹
Electrical Resistance (Rs) @ 25°C	207 mΩ
Electrical Inductance @ 1kHz (L _q /L _d)	2.2 mH/ 2 mH

Mechanical Brake (For 24V)

Type	Currentless Brake
Function Principle	Braked Engine Shaft
Typ. Braking Torque	5000 Nm
Typ. Activation Current	1.15A
Typ. Hold Current	0.13A
Typ. Resistance	12.8 Ω

Performance @ 480VAC, Continuous



Feedback

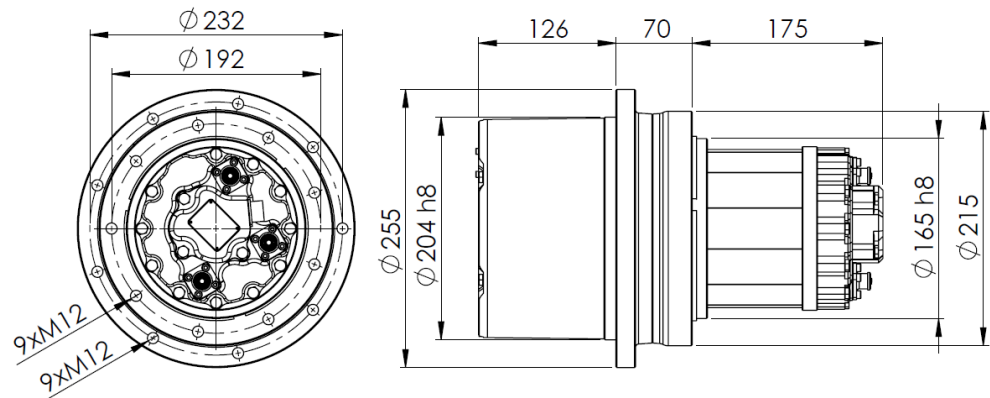
Temperature Sensor

Sensor-Type	PT 1000
-------------	---------

Angle Sensor -SIN/COS (standard)

Sensor-Type	SIN/COS-Encoder
Power Supply (V_{dd})	5V +/-5%
Power Consumption	20mA
Output Amplitude	1.1 +/-0.2V _{pp}
Output Offset	$V_{dd}/2$ +/- 5mV
Internal serial Impedance	720Ω

Dimensions and Load

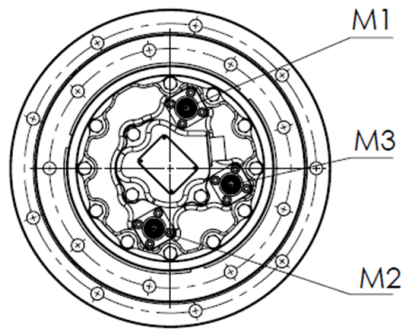


Bearing

F _{DYN}	2x48500N
F _{STAT}	2x67500N

Connections

Power connections

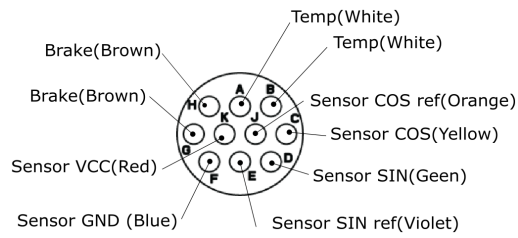


Connector	AMPHENOL SURLOCK PLUS
Part number	SLPPA16BSO
Included	No

Cable-size	16mm ²
Cable Dia.	8.1 +/-0.2mm
Included	No

Signal Connections

-SIN/COS
 -complementary



Connector	Amphenol Ecomate RM
Plug	RT0W61210SNH
Pins (10X)	SS20W1F (0.34-0.5mm ²)
Included	No