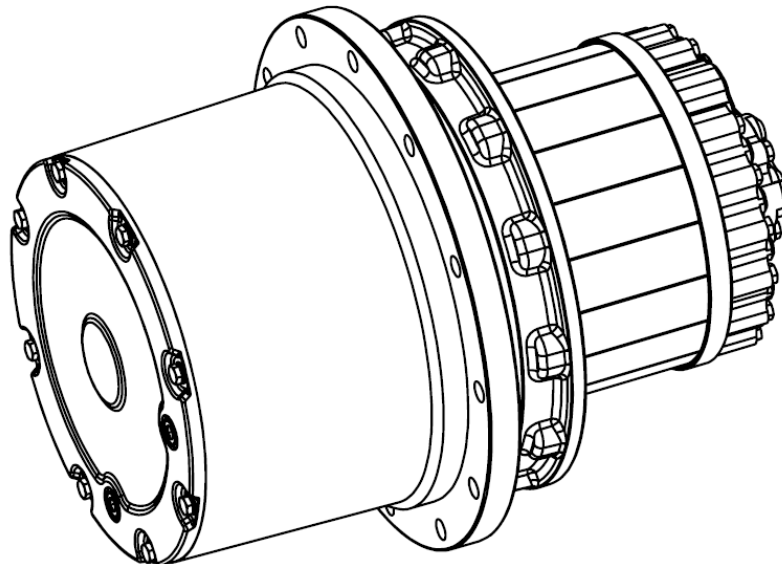


I&W

Electric Final Drive M230 (440V)

Type M230_105_100_i134.8_B24V

Datasheet
v2020.05



Performance Characteristics

General Information

Ambient Temperature	-20°C to 25°C*
Insulation Class EN 60034-1	F(155°C)
Enclosure Type DIN EN 60529	IP67 IP69K Optional

*Derating for higher Temperatures

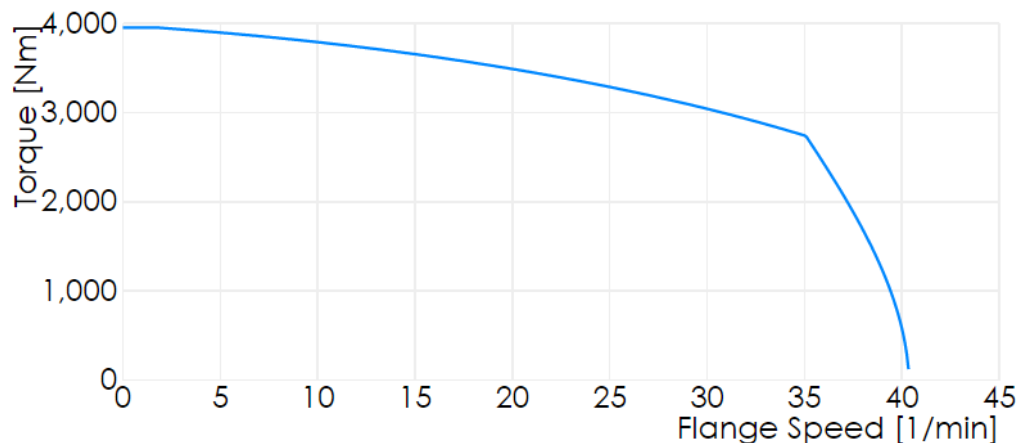
Drive

Engine Type	Permanentmagnet-Synchronous
Number of Poles	12
Reducer Ratio	134.8
Weight	82kg
Peak Torque(flange)	8400 Nm
Peak Current (rms)	46 Arms
Continuous Torque @ 28 1/min (flange)	3140 Nm
Continuous Current @ 28 1/min (rms, flange)	21 Arms
Maximum Speed @ 440VAC	40 1/min
Torque Constant @ motor shaft	1.46 Nm / Arms
Back EMF Constant (Line to Line, rms, rpm @ motor shaft)	88 V / 1000 min ⁻¹
Electrical Resistance (Rs) @ 25°C	108 mΩ
Electrical Inductance @ 1kHz (Lq/Ld)	2.4 mH/2.1 mH

Mechanical Brake (Optional)

Type	Currentless Brake
Function Principle	Braked Engine Shaft
Typ. Braking Torque	8400 Nm
Typ. Activation Current	1.05A
Typ. Hold Current	0.25A
Typ. Resistance	14Ω

Performance @ 440VAC, Ambient 25°C Flange 0.3m²



Feedback

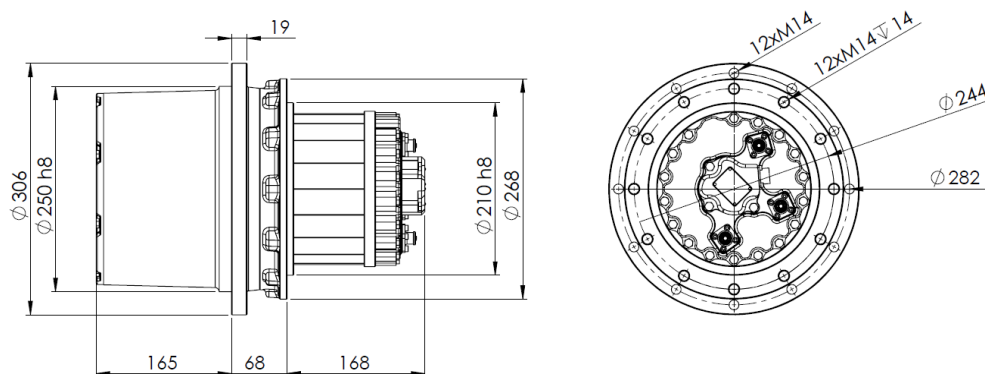
Temperature Sensor

Sensor-Type	PT 1000
-------------	---------

Angle Sensor

Sensor-Type	SIN/COS-Encoder
Power Supply (V_{dd})	5V +/-5%
Power Consumption	20mA
Output Amplitude	1.1 +/-0.2V _{pp}
Output Offset	$V_{dd}/2$ +/- 5mV
Internal serial Impedance	720Ω

Dimensions and Load

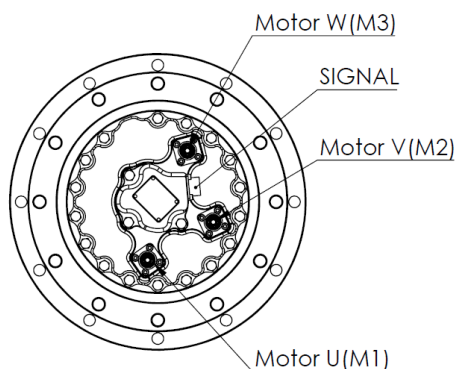


Bearing Capacity

C	2x57500N
C ₀	2x78000N

Connections

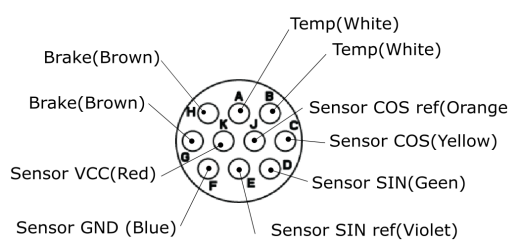
Power connections



Mating Connector	AMPHENOL SURLOCK PLUS
Part number	SLPPA25BSO
Included	No

Cable-size	25mm ²
Included	No

Signal Connections -SIN/COS -complementary



Connector	Amphenol Ecomate RM
Plug	RT0W61210SNH
Pins (10X)	SS20W1F (0.34-0.5mm ²)
Included	No