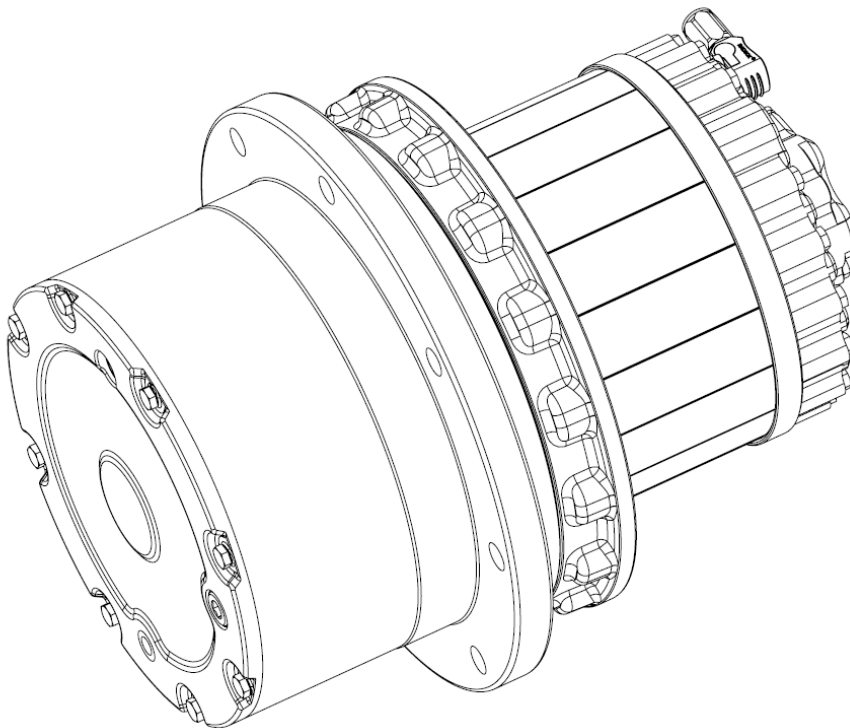


I&W

Electric Final Drive M3-105-180-i34

Datasheet
v2019.10



Performance Characteristics

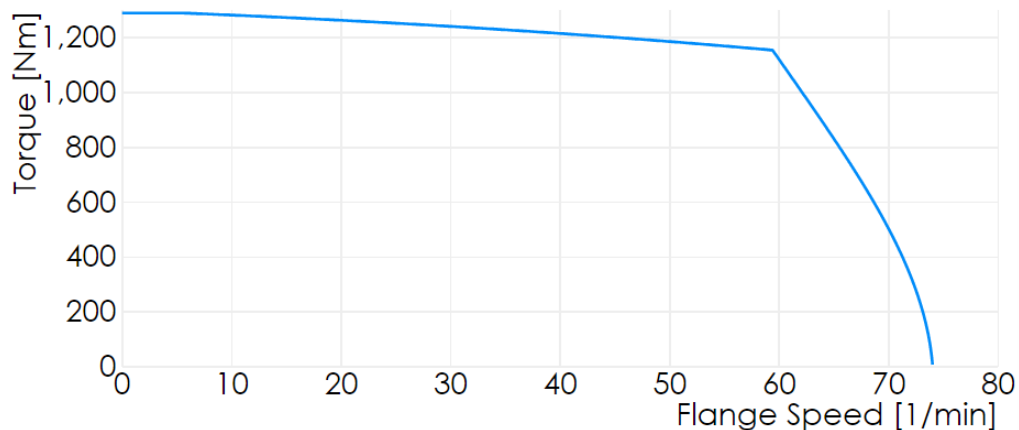
General Information	Ambient Temperature	-20°C to 25°C*
	Insulation Class EN 60034-1	F(155°C)
	Enclosure Type DIN EN 60529	IP67 (Connector Mated) IP69k optional

*Derating for higher Temperatures

Drive	Engine Type	Permanentmagnet-Synchronous
	Number of Poles	12
	Reducer Ratio	34
	Weight	62kg
	Peak Torque (flange)	2420 Nm
	Peak Current (rms)	28 Arms
	Continuous Torque @ 30 1/min (flange)	1240 Nm
	Continuous Current @ 30 1/min (rms, flange)	15.2 Arms
	Maximum Speed @ 400VAC	74 1/min
	Torque Constant @ motor shaft	2.5 Nm / Arms
	Back EMF Constant (Line to Line, peak, rpm @ motor shaft)	214 V / 1000 min ⁻¹
	Electrical Resistance (Rs) @ 25°C	0.32 Ω
	Electrical Inductance @ 1kHz (Lq/Ld)	7 mH/6 mH (EST)

Mechanical Brake	Type	Currentless Brake
	Function Principle	Braked Engine Shaft
	Typ. Braking Torque	2550 Nm
	Typ. Activation Current	1.05A
	Typ. Hold Current	0.25A
	Typ. Resistance	14Ω

**Performance @ 400VAC,
Ambient 25°C
Flange 0.3m²**



Feedback

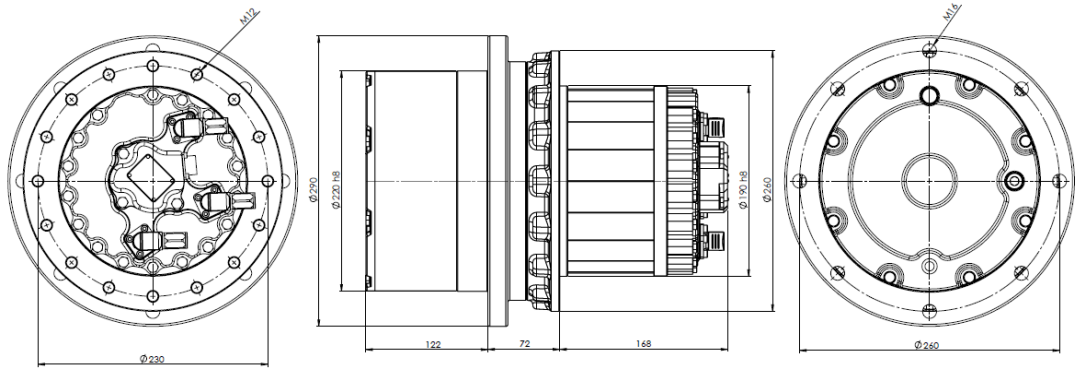
Temperature Sensor

Sensor-Type	PT 1000
-------------	---------

Angle Sensor

Sensor-Type	SIN/COS-Encoder
Power Supply (V_{dd})	5V +/-5%
Power Consumption	20mA
Output Amplitude	1.1 +/-0.2V _{pp}
Output Offset	$V_{dd}/2$ +/- 5mV
Internal serial Impedance	720Ω

Dimensions and Load

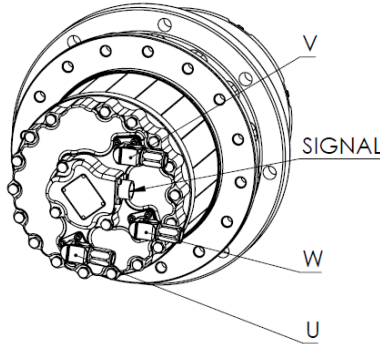


Bearing Capacity

C	2x57500N
C ₀	2x78000N

Connections

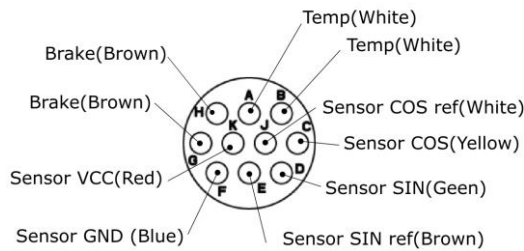
Power connections



Connector	AMPHENOL SURLOCK PLUS
Part number	SLPPA16BSO
Included	No

Cable-size	16mm ²
Cable Dia.	8.1 +/-0.2mm
Included	No

Signal Connections -SIN/COS -complementary



Connector	Amphenol Ecomate RM
Plug	RT0W61210SNH
Pins	SS20W1F (0.34-0.5mm ²)
Included	No