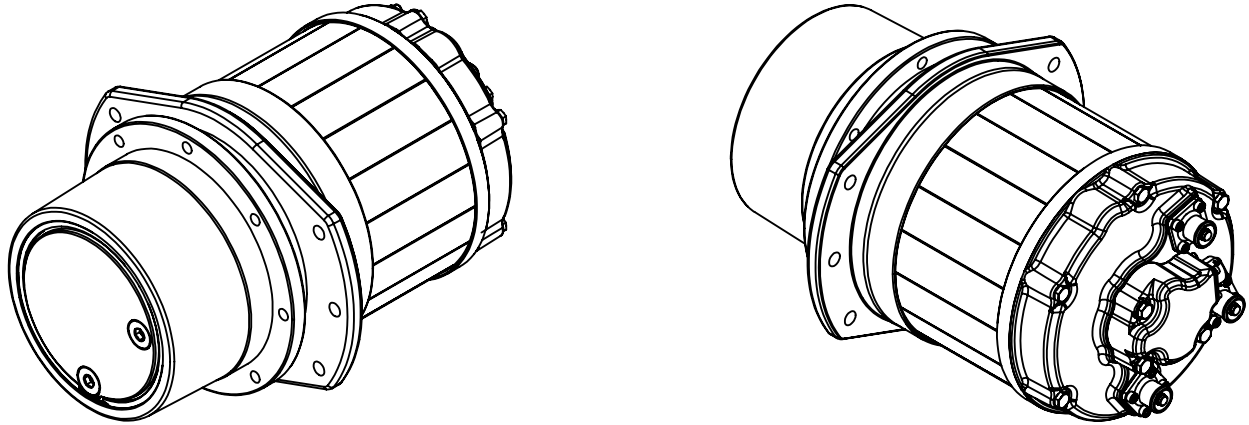
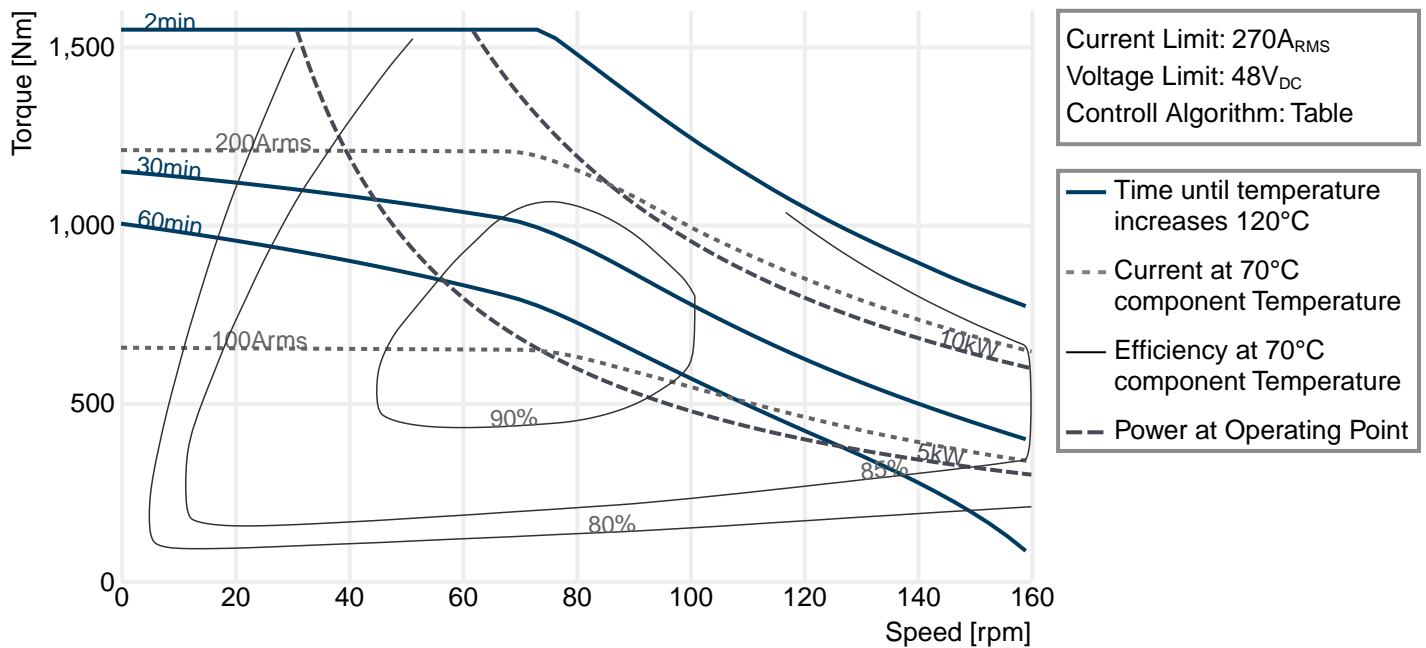


MODEL: M160i2D184-105-20-i22.75-B48V-AC96\_EC8  
 SUPPLY: 48V<sub>DC</sub> / 270A<sub>RMS</sub>



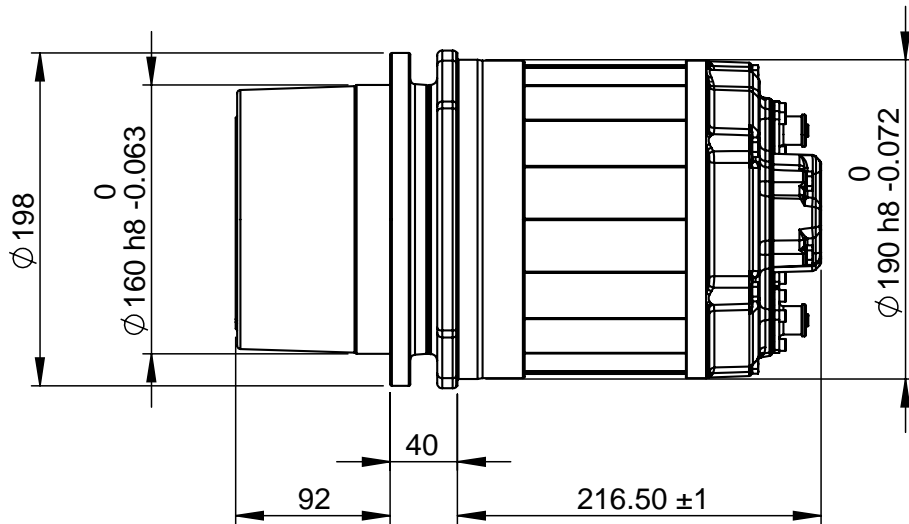
## DRIVE PERFORMANCE



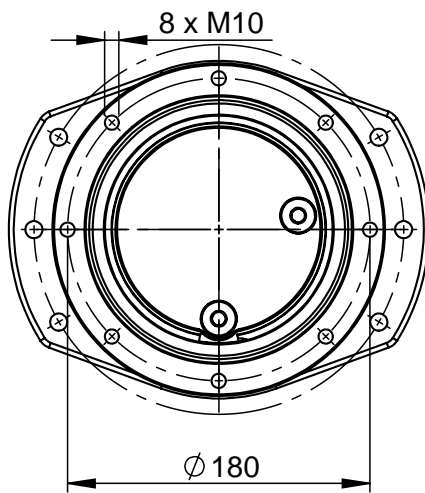
Engine Type	IPM	
Number of Poles	12	
Reducer Ratio	22.75	
Peak Torque (Flange)	1547 Nm	
Peak Current	259 Arms	
Torque Constant (Shaft / Flange)	0.28 Nm/Arms	6.5 Nm/Arms
Back EMF Const. (Line to Line @ motor shaft)	PEAK: 24.3 V/1000min-1	RMS: 17.2 V/1000min-1
Electrical Resistance @ 25°C	4 mOHM	
Electrical Inductance	Lq: 155 µH	Ld: 127 µH

**DIMENSIONS**

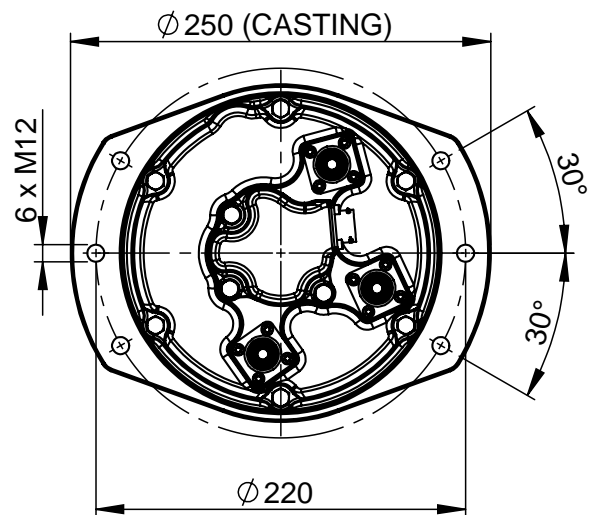
SIDE VIEW



ROTATING FLANGE



FIXED FLANGE

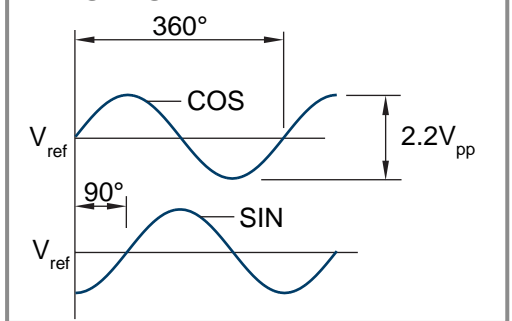


## SENSOR

Analogue sinusoidal Output

Power supply	V <sub>dd</sub> = 5 V ±5 %
Current consumption	Max. 30 mA
Internal serial impedance	100 OHM
Signal amplitude	2.2 ±0.2 V <sub>pp</sub>
Signal offset	2.5 V ±1 %

Timing Diagram



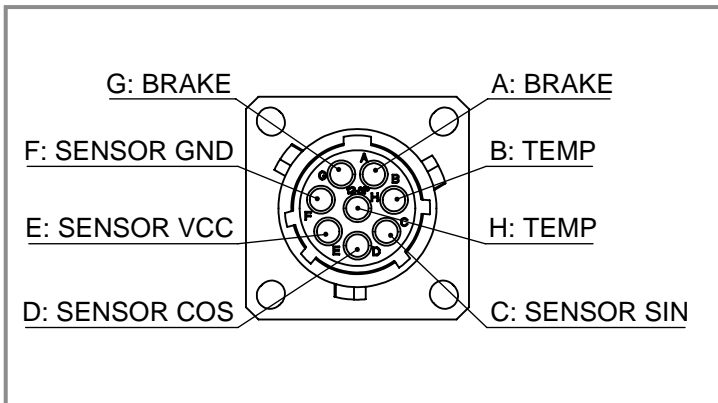
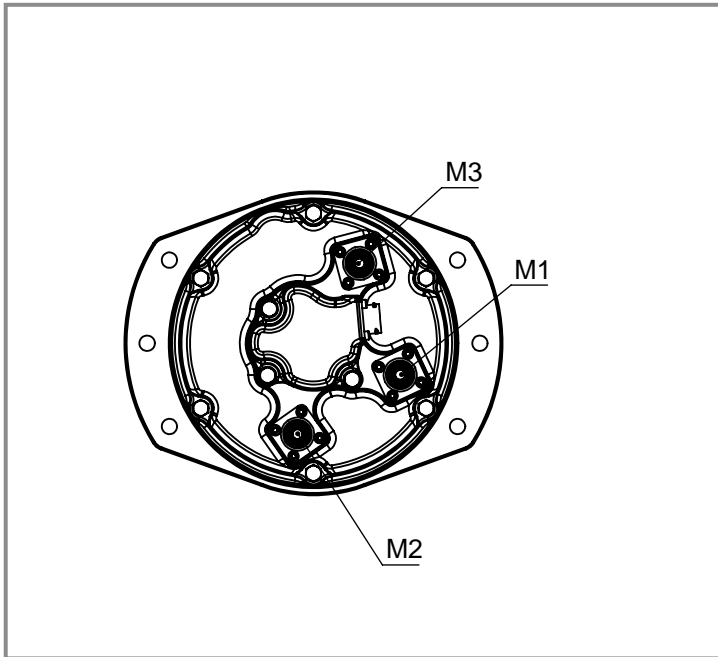
## TEMPERATURE SENSOR

Sensor Type	PT1000
Number of Sensors	1x
Position of Temperature Sensor	Encapsulated between stator winding

Table of the Resistance values:

-40 °C	843 OHM	60 °C	1232 OHM
-30 °C	882 OHM	70 °C	1271 OHM
-20 °C	922 OHM	80 °C	1309 OHM
-10 °C	961 OHM	90 °C	1347 OHM
0 °C	1000 OHM	100 °C	1385 OHM
10 °C	1039 OHM	110 °C	1423 OHM
20 °C	1078 OHM	120 °C	1461 OHM
30 °C	1117 OHM	130 °C	1498 OHM
40 °C	1155 OHM	140 °C	1536 OHM
50 °C	1194 OHM	150 °C	1573 OHM
60 °C	1232 OHM	160 °C	1611 OHM

## CONNECTIONS



### Mating Power Connectors



Part	Surlock Plus 8.0mm (35mm <sup>2</sup> )
Mfg #	SLPPB35BSO
I&W #	P0052_0015
Mfg	Amphenol



Part	Surlock Plus 8.0mm (50mm <sup>2</sup> )
Mfg #	SLPPB50BSO
I&W #	P0052_0070
Mfg	Amphenol

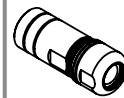
### Mating Signal Connectors



Part	Ecomate RM Plug
Mfg #	RT06128SNH
I&W #	P0052_0008
Mfg	Amphenol



Part	Socket Contact
Mfg #	SS20W1F or SS20W2F
I&W #	-
Mfg	Amphenol



Part	Backshell
Mfg #	RT0L-12CG-S1
I&W #	P0052_0010
Mfg	Amphenol